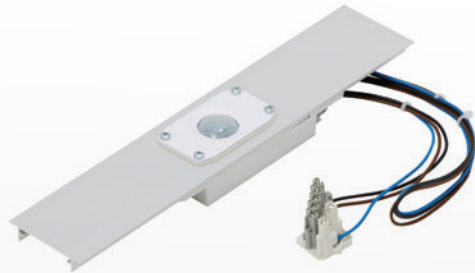


VEKO SYSTEM SENSOR ROUND

IP20 - IP54 - IP65



The waterproof Veko System Sensors are the ears and eyes of your lighting system. This simple plug & play solution can be used in combination with your DALI Pro or Encelium light management system. The Veko System Sensor has two versions: narrow and round. The required range determines which sensor you need. The Veko System Sensor is equipped with an extremely accurate infrared (PIR) sensor, which detects and interprets changes in the thermal image at lightning speed.

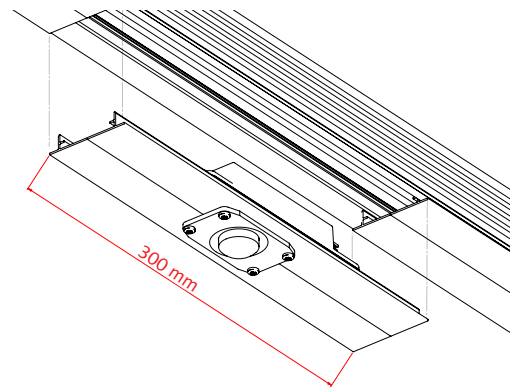
The Veko System Sensor has settings for detection sensitivity and daylight control. Programming of this sensor is done via your DALI Pro or Encelium LMS. You always have the exact amount of light you need, wherever you are.



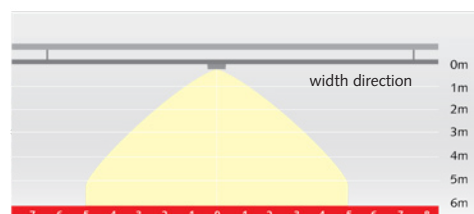
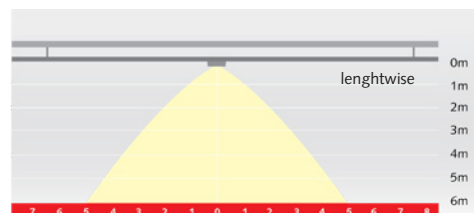
Technical information

Length (mm)	300 mm
Wattage (W)	0.5 W < 4 W (off < on)
Voltage (V)	220 - 240 V
Frequency (Hz)	50 ÷ 60 Hz
Sensitivity settings	3 (average sensitivity)
Daylight control	Standard at 4 (out of 9)
Ambient temperature	-25 °C - +35 °C
ENEC certification	Has been requested by DEKRA
Warranty	5 years

Measurements



Detection range



Technical data subject to change.

Aanwezigheidsdetectie - EN v1.0 01/01/20