

220-240V
50/60 HzIK
03IP
20

Decorative surface-mounted luminaire. It is possible to order the luminaires in various dimensions.

TECHNICAL DATA**Mounting:** surface mounted**Body:** formed aluminum profile, plastic, steel sheet**Colour:** white, black**Diffuser:** opal plexiglass (PLX), microprismatic diffuser (MPRM)**ELECTRICAL DATA****Power supply efficiency:** >90%**Power:** 220-240V 50/60Hz**Includes light source:** yes**Type of equipment:** ED**Electrical connection:** max 3x0,75 mm² wire**OPTICAL DATA****Light distribution:** symmetric**Way of lighting:** direct**Type of optic:** diffuser**ULOR / DLOR:** 0/100**GENERAL DATA****Lifetime (L80B10):** 100 000 h**Operating temperature range:** 0° C ... +35° C**Available on request:** luminaire in other sizes**Warranty:** 5 years**Application:** offices, conference rooms, reception desks, shopping centers, car showrooms, boutiques

Code	Type of equipment	Luminaire power [W]	Lumen luminaire [lm]	Efficacy [lm/W]	Colour temperature [K]	CRI/Ra	Diffuser
Type: Ø500							
20026X.5L01.221	ED	28	2850	102	3000	80	opal plexiglass (PLX)
20026X.5L02.221	ED	28	2900	104	4000	80	opal plexiglass (PLX)
20026X.5L01.222	ED	28	3550	127	3000	80	microprismatic diffuser (MPRM)
20026X.5L02.222	ED	28	3700	132	4000	80	microprismatic diffuser (MPRM)
20026X.5L03.221	ED	47	4800	102	3000	80	opal plexiglass (PLX)
20026X.5L04.221	ED	47	5000	106	4000	80	opal plexiglass (PLX)
20026X.5L03.222	ED	47	5500	117	3000	80	microprismatic diffuser (MPRM)
20026X.5L04.222	ED	47	5700	121	4000	80	microprismatic diffuser (MPRM)
Type: Ø700							
20026X.5L05.231	ED	33	3650	111	3000	80	opal plexiglass (PLX)
20026X.5L06.231	ED	33	3800	115	4000	80	opal plexiglass (PLX)
20026X.5L05.232	ED	33	4600	139	3000	80	microprismatic diffuser (MPRM)
20026X.5L06.232	ED	33	4800	145	4000	80	microprismatic diffuser (MPRM)
20026X.5L07.231	ED	75	7300	97	3000	80	opal plexiglass (PLX)
20026X.5L08.231	ED	75	7600	101	4000	80	opal plexiglass (PLX)
20026X.5L07.232	ED	75	9500	127	3000	80	microprismatic diffuser (MPRM)
20026X.5L08.232	ED	75	9990	133	4000	80	microprismatic diffuser (MPRM)
Type: Ø900							
20026X.5L09.241	ED	50	5950	119	3000	80	opal plexiglass (PLX)
20026X.5L10.241	ED	50	6200	124	4000	80	opal plexiglass (PLX)
20026X.5L09.242	ED	50	7200	144	3000	80	microprismatic diffuser (MPRM)
20026X.5L10.242	ED	50	7500	150	4000	80	microprismatic diffuser (MPRM)
20026X.5L11.241	ED	83	9600	116	3000	80	opal plexiglass (PLX)
20026X.5L12.241	ED	83	10000	120	4000	80	opal plexiglass (PLX)
20026X.5L11.242	ED	83	12000	145	3000	80	microprismatic diffuser (MPRM)

Luminous flux tolerance +/- 10%.

Power tolerance +/- 5%.

Lighting beam, light intensity distribution and light efficiency were examined in accordance with the EN ISO 17025:2005 norm for EN13032 norm series and the LM-79 norm.

Up-to-date product info and General Warranty Terms available on our website www.luglightfactory.com

Detailed information on luminous fluxes and powers for individual indexes are indicated on the product data sheet.

The parameters in the data sheet are given for Ta=25°C.

Code	Type of equipment	Luminaire power [W]	Lumen luminaire [lm]	Efficacy [lm/W]	Colour temperature [K]	CRI/Ra	Diffuser
Type: Ø900							
20026X.5L12.242	ED	83	12500	151	4000	80	microprismatic diffuser (MPRM)

20026 .5L01.221

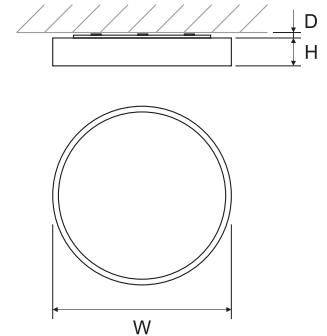
Colour

- 1 white
3 black

Code	Dimensions [mm] W H D	Quantity in package	Net weight [kg]
Type: Ø500			
20026X.5L01.221	500 80 7	1	3.0
20026X.5L02.221	500 80 7	1	3.0
20026X.5L01.222	500 80 7	1	3.0
20026X.5L02.222	500 80 7	1	3.0
20026X.5L03.221	500 80 7	1	3.0
20026X.5L04.221	500 80 7	1	3.0
20026X.5L03.222	500 80 7	1	3.0
20026X.5L04.222	500 80 7	1	3.0

Type: Ø700			
20026X.5L05.231	700 80 7	1	5.0
20026X.5L06.231	700 80 7	1	5.0
20026X.5L05.232	700 80 7	1	5.0
20026X.5L06.232	700 80 7	1	5.0
20026X.5L07.231	700 80 7	1	5.0
20026X.5L08.231	700 80 7	1	5.0
20026X.5L07.232	700 80 7	1	5.0
20026X.5L08.232	700 80 7	1	5.0

Type: Ø900			
20026X.5L09.241	900 80 7	1	9.0
20026X.5L10.241	900 80 7	1	9.0
20026X.5L09.242	900 80 7	1	9.0
20026X.5L10.242	900 80 7	1	9.0
20026X.5L11.241	900 80 7	1	9.0
20026X.5L12.241	900 80 7	1	9.0
20026X.5L11.242	900 80 7	1	9.0
20026X.5L12.242	900 80 7	1	9.0



Luminous flux tolerance +/- 10%.

Power tolerance +/- 5%.

Lighting beam, light intensity distribution and light efficiency were examined in accordance with the EN ISO 17025:2005 norm for EN13032 norm series and the LM-79 norm.

Up-to-date product info and General Warranty Terms available on our website www.luglightfactory.com

Detailed information on luminous fluxes and powers for individual indexes are indicated on the product data sheet.

The parameters in the data sheet are given for Ta=25°C.

OTHER PICTURES



Colour: white
Diffuser: microprismatic diffuser (MPRM)



Colour: black
Diffuser: microprismatic diffuser (MPRM)

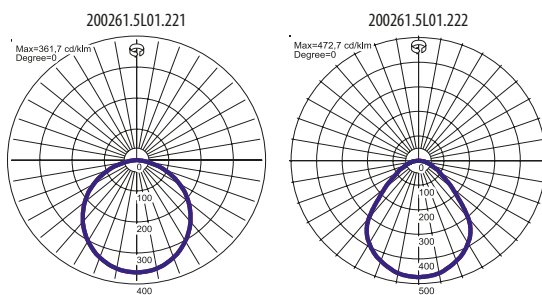


Colour: white
Diffuser: opal plexiglass (PLX)

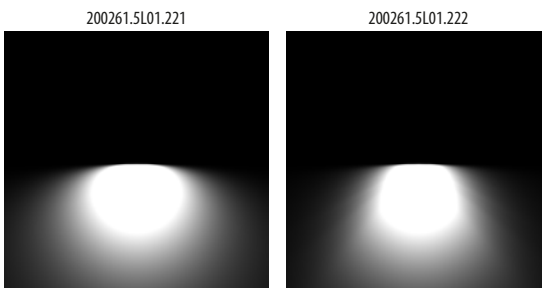


Colour: black
Diffuser: opal plexiglass (PLX)

LIGHT BEAM CURVES



WAY OF LIGHTING



Luminous flux tolerance +/- 10%.

Power tolerance +/- 5%.

Lighting beam, light intensity distribution and light efficiency were examined in accordance with the EN ISO 17025:2005 norm for EN13032 norm series and the LM-79 norm.

Up-to-date product info and General Warranty Terms available on our website www.luglightfactory.com

Detailed information on luminous fluxes and powers for individual indexes are indicated on the product data sheet.

The parameters in the data sheet are given for $T_a=25^{\circ}\text{C}$.