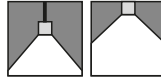


Group in catalogue: SPOTLIGHTS

220-240V
50/60 HzIP
20

3-phase aluminium track.

TECHNICAL DATA

Mounting: suspended, on wire suspension (on request), directly on the ceiling, with mounting brackets (on request)

Colour: white, gray, black

Power: 220-240V 50/60Hz

Additional equipment: aluminium profile

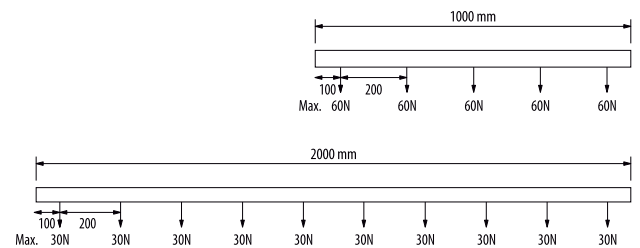
Warranty: 2 years

Application: boutiques, shopping centers, delicatessen, exhibitions, galleries, jeweler, museums, supermarkets, exhibitions

ELECTRICAL DATA**GENERAL DATA**

Code	Colour
150091.00087	white
150091.00089	white
150091.00091	white
150092.00088	gray
150092.00090	gray
150092.00092	gray
150093.01035	black
150093.01036	black
150093.00675	black

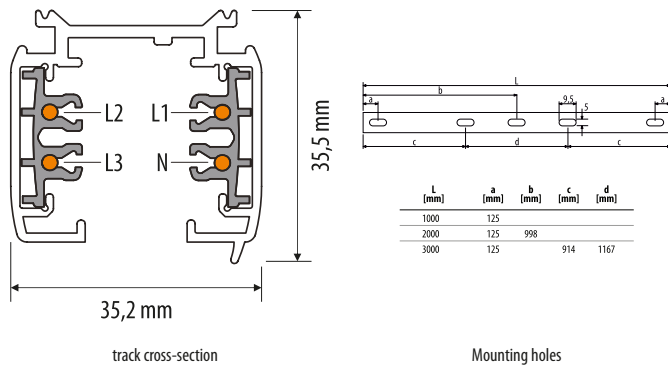
Code	Dimensions [mm] L	Net weight [kg]
150091.00087	1000	0.9
150091.00089	2000	1.8
150091.00091	3000	2.6
150092.00088	1000	0.9
150092.00090	2000	1.8
150092.00092	3000	2.6
150093.01035	1000	0.9
150093.01036	2000	1.8
150093.00675	3000	2.6



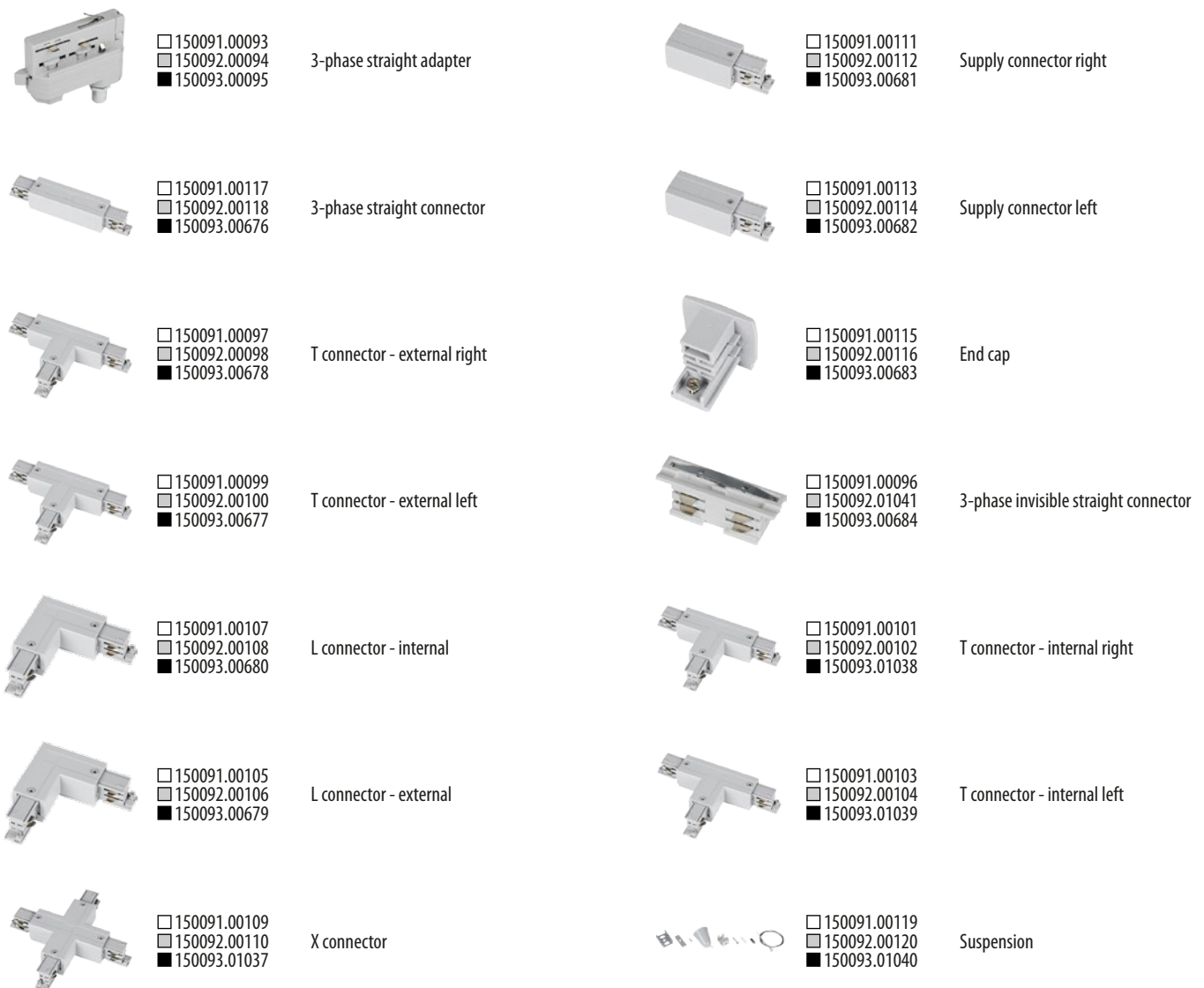
The parameters in the data sheet are given for Ta=25°C.

Group in catalogue: SPOTLIGHTS

OTHER PICTURES



ACCESSORIES



The parameters in the data sheet are given for Ta=25°C.