

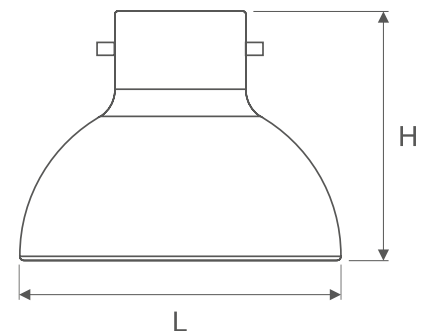
220-240V
50/60 HzIK
03IP
20

Dekorative Leuchte an modernen LED-Lichtquellen mit dekorativer Hintergrundbeleuchtung um den Reflektor.

TECHNICAL DATA**Mounting:** suspended, on wire suspension (included)**Body:** top quality aluminum**Colour:** white, silver**ELECTRICAL DATA****Power supply efficiency:** >90%**Power:** 220-240V 50/60Hz**Includes light source:** yes**Type of equipment:** ED, DALI**Electrical connection:** max 3x0,75 mm² wire, max 5x0,75 mm² wire**OPTICAL DATA****Way of lighting:** direct**Reflector:** polished**ULOR / DLOR:** 0/100**GENERAL DATA****Lifetime (L80B10):** 100 000 h**Warranty:** 5 years**Application:** offices, conference rooms, reception desks, shopping centers, galleries, boutiques, museums

Code	Type of equipment	Colour	Luminaire power [W]	Lumen luminaire [lm]	Efficacy [lm/W]	Colour temperature [K]	CRI/Ra
200111.5L01.110	ED	white	23	2550	111	3000	≥80
200116.5L01.110	ED	silver	23	2450	107	3000	≥80
200111.5L02.110	ED	white	23	2700	117	4000	≥80
200116.5L02.110	ED	silver	23	2600	113	4000	≥80
200111.5L03.110	ED	white	41	4250	104	3000	≥80
200116.5L03.110	ED	silver	41	4100	100	3000	≥80
200111.5L04.110	ED	white	41	4500	110	4000	≥80
200116.5L04.110	ED	silver	41	4300	105	4000	≥80
200111.3L01.110	DALI	white	23	2550	111	3000	≥80
200116.3L01.110	DALI	silver	23	2450	107	3000	≥80
200111.3L02.110	DALI	white	23	2700	117	4000	≥80
200116.3L02.110	DALI	silver	23	2600	113	4000	≥80
200111.3L03.110	DALI	white	41	4300	105	3000	≥80
200116.3L03.110	DALI	silver	41	4100	100	3000	≥80
200111.3L04.110	DALI	white	41	4500	110	4000	≥80
200116.3L04.110	DALI	silver	41	4300	105	4000	≥80

Code	Dimensions [mm] LH	Mounting dimensions [mm] L	Pallet quantity	Quantity in package	Net weight [kg]
200111.5L01.110	403 312	247	6	1	4.0
200116.5L01.110	403 312	247	6	1	4.0
200111.5L02.110	403 312	247	6	1	4.0
200116.5L02.110	403 312	247	6	1	4.0
200111.5L03.110	403 312	247	6	1	4.0
200116.5L03.110	403 312	247	6	1	4.0
200111.5L04.110	403 312	247	6	1	4.0
200116.5L04.110	403 312	247	6	1	4.0



Luminous flux tolerance +/- 10%.

Power tolerance +/- 5%.

Lighting beam, light intensity distribution and light efficiency were examined in accordance with the EN ISO 17025:2005 norm for EN13032 norm series and the LM-79 norm.

Up-to-date product info and General Warranty Terms available on our website www.luglightfactory.com

Detailed information on luminous fluxes and powers for individual indexes are indicated on the product data sheet.

The parameters in the data sheet are given for Ta=25°C.

Code	Dimensions [mm] L H	Mounting dimensions [mm] L	Pallet quantity	Quantity in package	Net weight [kg]
200111.3L01.110	403 312	247	6	1	4.0
200116.3L01.110	403 312	247	6	1	4.0
200111.3L02.110	403 312	247	6	1	4.0
200116.3L02.110	403 312	247	6	1	4.0
200111.3L03.110	403 312	247	6	1	4.0
200116.3L03.110	403 312	247	6	1	4.0
200111.3L04.110	403 312	247	6	1	4.0
200116.3L04.110	403 312	247	6	1	4.0

OTHER PICTURES



OTHER PROJECTS



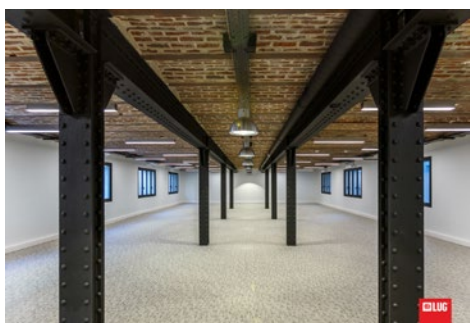
Dako, Jena, Germany



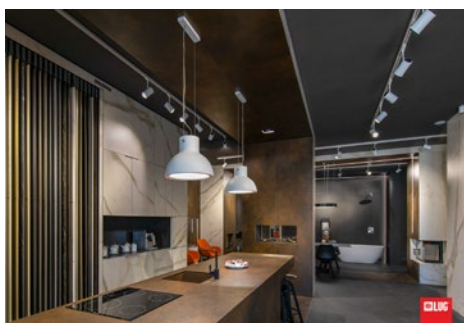
Bosch, Zielona Góra, Poland



"BIG", Świebodzin, Poland



Les Ateliers de la Plaine, Saint-Denis, France



Center of the Chimney, Zielona Gora, Poland

Luminous flux tolerance +/- 10%.

Power tolerance +/- 5%.

Lighting beam, light intensity distribution and light efficiency were examined in accordance with the EN ISO 17025:2005 norm for EN13032 norm series and the LM-79 norm.

Up-to-date product info and General Warranty Terms available on our website www.luglightfactory.com

Detailed information on luminous fluxes and powers for individual indexes are indicated on the product data sheet.

The parameters in the data sheet are given for Ta=25°C.