

220-240V  
50/60 HzIP  
20

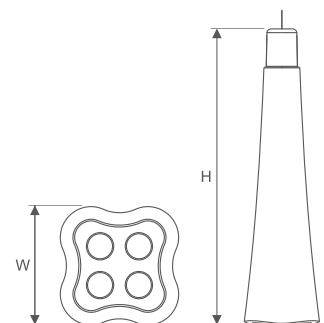
Suspended decorative luminaire for LED light sources.

<b>TECHNICAL DATA</b>	<b>Mounting:</b> suspended, on wire suspension (included)
	<b>Body:</b> architectural concrete, steel
	<b>Colour:</b> light gray, gray
<b>ELECTRICAL DATA</b>	<b>Power:</b> 220-240V 50/60Hz
	<b>Includes light source:</b> yes
	<b>Type of equipment:</b> ED
<b>OPTICAL DATA</b>	<b>Way of lighting:</b> direct
	<b>Type of optic:</b> lens
<b>GENERAL DATA</b>	<b>Lifetime (L80B50):</b> 100 000 h
	<b>Available on request:</b> DIM 1..10V
	<b>Warranty:</b> 5 years
	<b>Application:</b> offices, conference rooms, reception desks, shopping centers, car showrooms, boutiques



Code	Beam angle	Luminaire power [W]	Lumen luminaire [lm]	Efficacy [lm/W]	Colour temperature [K]	CRI/Ra
<b>Colour: light gray</b>						
260010.5L01.11	45°	5	370	74	3000	≥80
260010.5L02.11	45°	5	420	84	4000	≥80
<b>Colour: gray</b>						
260020.5L01.11	45°	5	370	74	3000	≥80
260020.5L02.11	45°	5	420	84	4000	≥80

Code	Dimensions [mm] L W H	Mounting dimensions [mm] W	Pallet quantity	Quantity in package	Net weight [kg]
<b>Colour: light gray</b>					
260010.5L01.11	100 100 400	67	70	1	2.5
260010.5L02.11	100 100 400	67	70	1	2.5
<b>Colour: gray</b>					
260020.5L01.11	100 100 400	67	70	1	2.5
260020.5L02.11	100 100 400	67	70	1	2.5



Designed by LUG Design Team

Luminous flux tolerance +/- 10%.  
Power tolerance +/- 5%.

Lighting beam, light intensity distribution and light efficiency were examined in accordance with the EN ISO 17025:2005 norm for EN13032 norm series and the LM-79 norm.

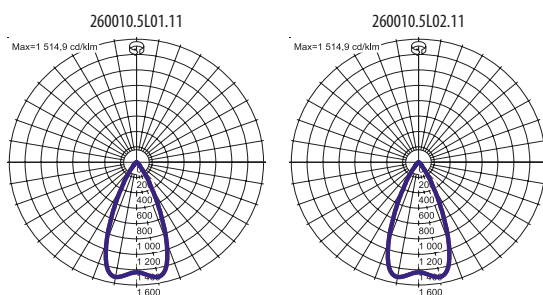
Up-to-date product info available on our website [www.flashdq.com](http://www.flashdq.com)

Detailed information on luminous fluxes and powers for individual indexes are indicated on the product data sheet.

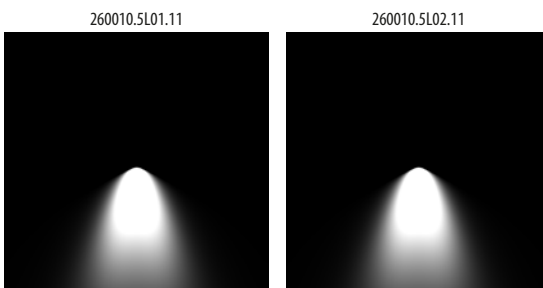
Date of issue: 27-3-2019

The LUG Company reserves right to introduce any construction changes and improvements into the lighting luminaires

## LIGHT BEAM CURVES



## WAY OF LIGHTING



Designed by LUG Design Team

Luminous flux tolerance +/- 10%.  
Power tolerance +/- 5%.

Lighting beam, light intensity distribution and light efficiency were examined in accordance with the EN ISO 17025:2005 norm for EN13032 norm series and the LM-79 norm.

Up-to-date product info available on our website [www.flashdq.com](http://www.flashdq.com)

Detailed information on luminous fluxes and powers for individual indexes are indicated on the product data sheet.

Date of issue: 27-3-2019

The LUG Company reserves right to introduce any construction changes and improvements into the lighting luminaires